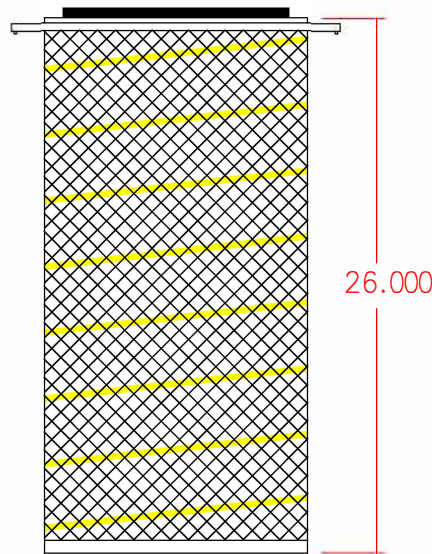
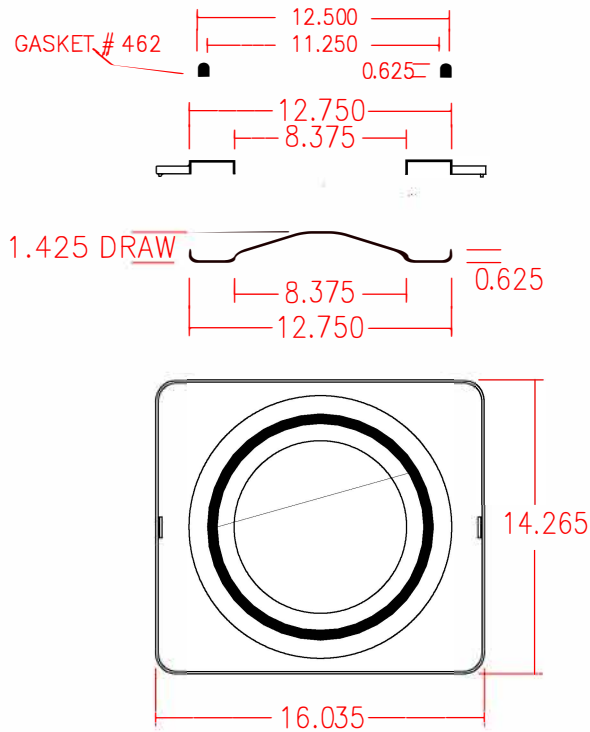


## ACSF-352-FL



### CONSTRUCTION:

ELECTROPLATED GALVANIZED CLOSED END CAP  
 ELECTROPLATED GALVANIZED OPEN END CAP WITH FARR® STYLE FLANGE  
 G- 90 GALVANIZED EXPANDED METAL OUTER BODY  
 G- 90 GALVANIZED EXPANDED METAL INNER CORE  
 210 SQUARE FEET 80/20 CELLULOSE/SYTHETIC FLAME RETARDANT MEDIA  
 EPDM RUBBER SEALING GASKET APPLIED TO THE OPEN END CAP  
 PVC SEALANT APPLIED TO BOTH ENDS  
 HOT MELT ADHESIVE BEAD APPLIED OUTSIDE ONLY  
 PACKAGED ONE PER CARTON  
 WEIGHT: 17 POUNDS

### EFFICIENCY: (PER ASHRAE 52.1- 1992)

TEST FLOW RATE: 500 CFM  
 INITIAL RESISTANCE: .59 INCHES W.G.  
 INITIAL DUST SPOT EFFICIENCY: 43.9%  
 DUST SPOT EFFICIENCY AT 1" W.G.: 98%  
 DUST SPOT EFFICIENCY AT 2" W.G.: 99%  
 DUST SPOT EFFICIENCY AT 4" W.G.: 100%  
 AVERAGE ATMOSPHERIC DUST SPOT EFFICIENCY: 97%  
 AVERAGE SYNTHETIC DUST WEIGHT ARRESTANCE: 100%  
 ASHRAE DUST HOLDING CAPACITY: 5900 GRAMS

MINIMUM EFFICIENCY REPORTING VALUE: ( PER ASHRAE 52.2- 1999)  
 MERV 11