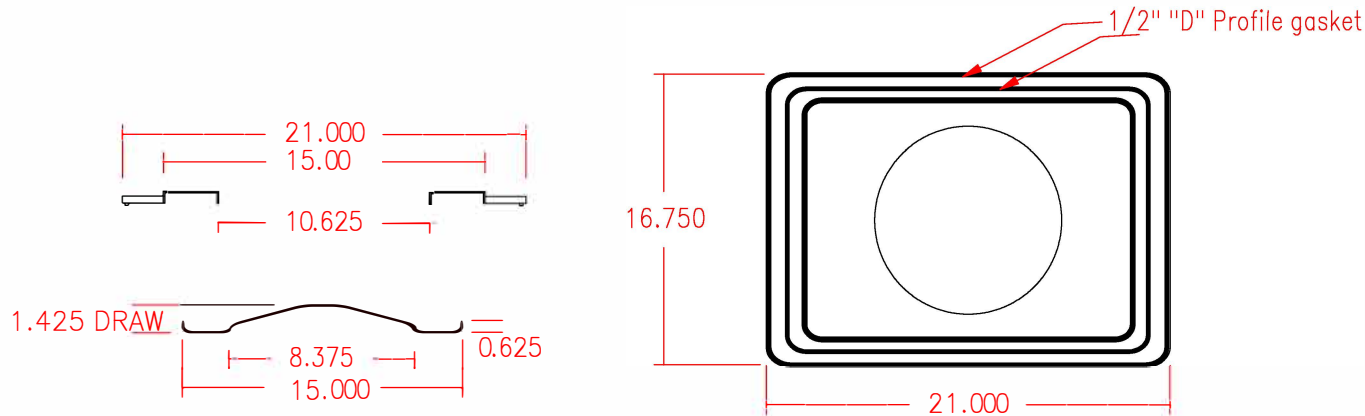


ACSF-307-FL



PLEASE NOTE: THERE IS NOT AN INTERNAL CONE IN THIS FILTER LIKE THE OEM.

CONSTRUCTION:

ELECTROPLATED GALVANIZED OPEN ENDCAP WITH THE FARR STYLE GOLD SERIES FLANGE
 ELECTROPLATED GALVANIZED CLOSED END CAP
 G-90 GALVANIZED EXPANDED METAL INNER CORE
 360 SQUARE FEET MERV 11 80/20 CELLULOSE & POLYESTER BLENDED MEDIA
 SPIRAL BEAD OF HOT MELT ADHESIVE APPLIED TO THE O.D.
 3 EA/ POLYESTER BANDS GLUED TO THE PLEAT PACK O.D. FOR STABILITY
 TWO EPDM RUBBER SEALING GASKETS APPLIED TO THE FLANGED END CAP
 PVC SEALANT APPLIED TO BOTH ENDS
 PACKAGED ONE PER CARTON
 WEIGHT: 27 POUNDS

EFFICIENCY: (PER ASHRAE 52.2-2007)

TEST FLOW RATE: 650 CFM
 INITIAL RESISTANCE: 0.25 INCHES W.G.
 FINAL RESISTANCE: 4.00 INCHES W.G.
 E1 (%) COMPOSITE MINIMUM AVERAGE EFFICIENCY 0.30 - 1.00 MICRON: 20>E1
 E2 (%) COMPOSITE MINIMUM AVERAGE EFFICIENCY 1.0 - 3.0 MICRON: 65<E1
 E3 (%) COMPOSITE MINIMUM AVERAGE EFFICIENCY 3.0 - 10.0 MICRON: 85<E1
 MINIMUM EFFICIENCY REPORTING VALUE: MERV 11 @ 650 CFM

