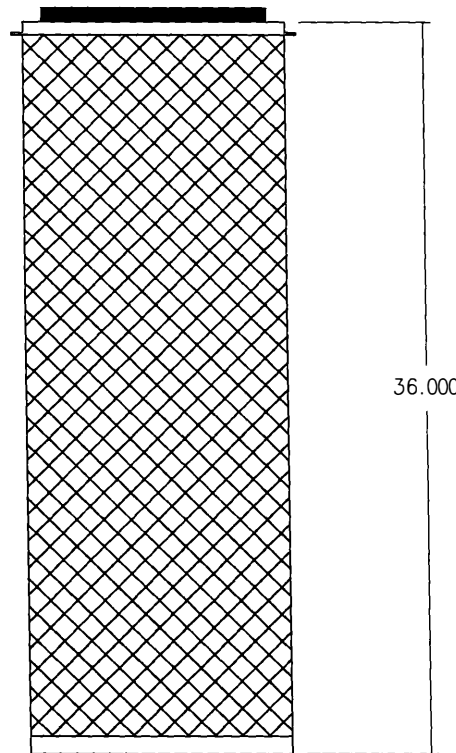
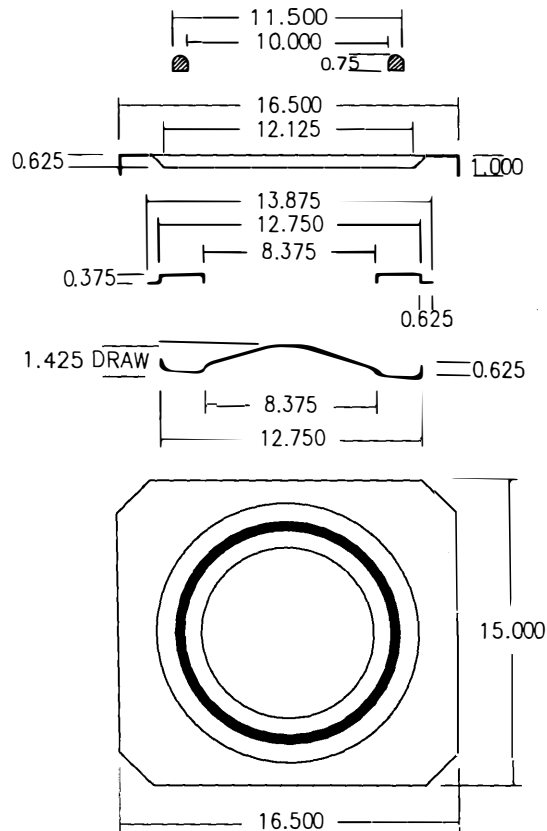


ACSF-221-FL



CONSTRUCTION:

ELECTROPLATED GALVANIZED FLANGE MOUNTED TO OPEN CAP
 ELECTROPLATED GALVANIZED OPEN END CAP WITH O.D. FLANGE
 ELECTROPLATED GALVANIZED CLOSED END CAP
 G- 90 GALVANIZED EXPANDED METAL OUTER BODY
 G- 90 GALVANIZED EXPANDED METAL INNER CORE
 225 SQ FT CELLULOSE / POLYESTER MEDIA
 EPDM RUBBER SEALING GASKET APPLIED TO THE FLANGED END CAP
 URETHANE SEALANT APPLIED TO BOTH ENDS
 THERMOPLASTIC HOT MELT ADHESIVE BEAD APPLIED OUTSIDE ONLY
 PACKAGED ONE PER CARTON
 WEIGHT: 19 POUNDS

EFFICIENCY: (PER ASHRAE 52.1)

TEST FLOW RATE: 750 CFM
 INITIAL RESISTANCE: .72 INCHES W.G.
 INITIAL DUST SPOT EFFICIENCY: 43.9%
 DUST SPOT EFFICIENCY AT 1" W.G.: 98%
 DUST SPOT EFFICIENCY AT 2" W.G.: 99%
 DUST SPOT EFFICIENCY AT 4" W.G.: 100%
 AVERAGE ATMOSPHERIC DUST SPOT EFFICIENCY: 97%
 AVERAGE SYNTHETIC DUST WEIGHT ARRESTANCE: 100%
 ASHRAE DUST HOLDING CAPACITY: 5900 GRAMS

MINIMUM EFFICIENCY REPORTING VALUE:

MERV: 11